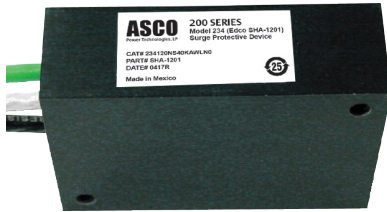


Surge Protective Device

Technical Documentation



The **ASCO Model 234** is specifically designed for type 170 Traffic Controller cabinets that require power neutral to remain isolated from cabinet earth ground. Protection is provided both between phase-to-neutral, and neutral-to-ground. If neutral is bonded to earth ground in the cabinet, the ASCO Model 233 unit should be considered as a cost-effective alternate to Model 234.

Key Specs

- **Voltage:** 120 VAC
- **Current:** N/A, Parallel Connection
- **Connection:** 10 AWG Wire Leads
- **Mounting:** 0.1875" Mounting Holes

**See Ordering Information for model number selection*

General Technical Specifications

Operating Voltage	120 VAC
Clamping Voltage	395 VAC
Operating Current	NA, Parallel
Peak Surge Current	40 kA/Phase, 53kA/total
Operating Frequency	47 - 63Hz
EMI Attenuation	NA
SPD Technology	Metal Oxide Varistors (MOV)
Modes of Protection	L-N, N-G
Status Indication	NA
Connection Type	10 AWG Wire Leads
Operating Temperature	-40 C to +85 C
Dimensions (in/mm)	3.0" H x 2.0" W x 1.0" L [76.2 x 50.8 x 25.4 mm]
Weight (oz/kg)	6 oz [0.17 kg]
Warranty	5 years

Features

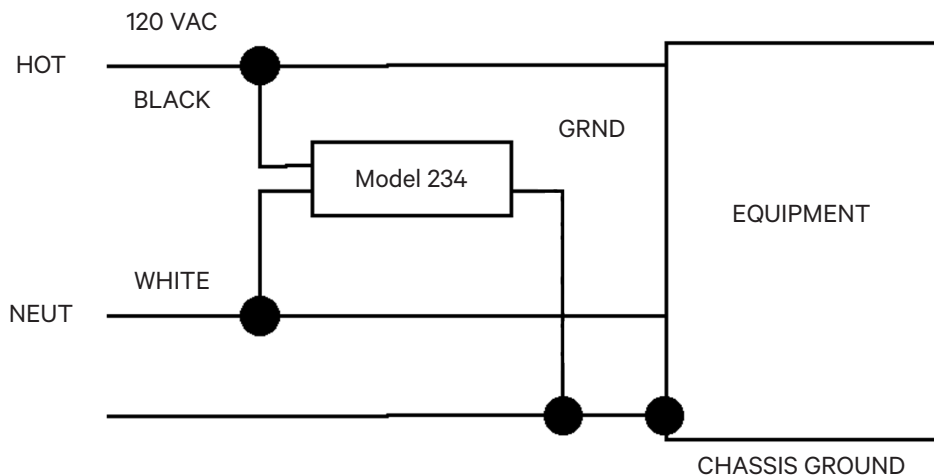
- 53 kA surge protection
- Fast response time
- Solid-state design
- Epoxy encapsulated
- 5 Year Warranty

DANGER!

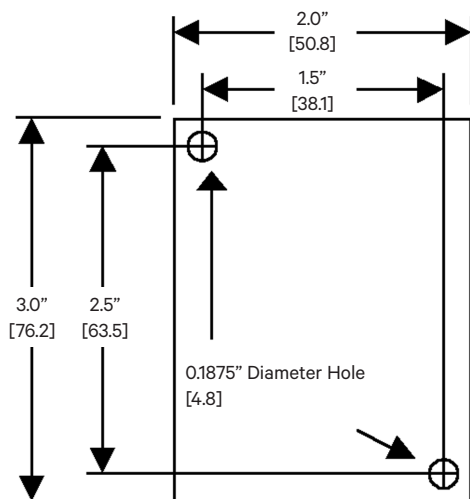
Only qualified personnel should install or service this system. Electrical safety pre-cautions must be followed when installing or servicing this equipment. To prevent risk of electrical shock, turn off and lock out all power sources to the unit before making electrical connections or servicing.

Seulement le personnel qualifié doit installer ou maintenir ce système. Des précautions de sécurité en électricité doivent être suivies lors de l'installation ou de la maintenance de cet équipement. Pour éviter tout risque de choc électrique, débranchez et verrouillez toutes les sources d'alimentation de cet équipement avant de.

Installation Instructions



Mounting



Ordering Information

Other configurations available, please contact factory.

MODEL

Former Model Name

234120NS40KAWLN0

Edco SHA-1201

APPLICATION

120VAC , 2 W+G
(Line, Neutral, Ground)